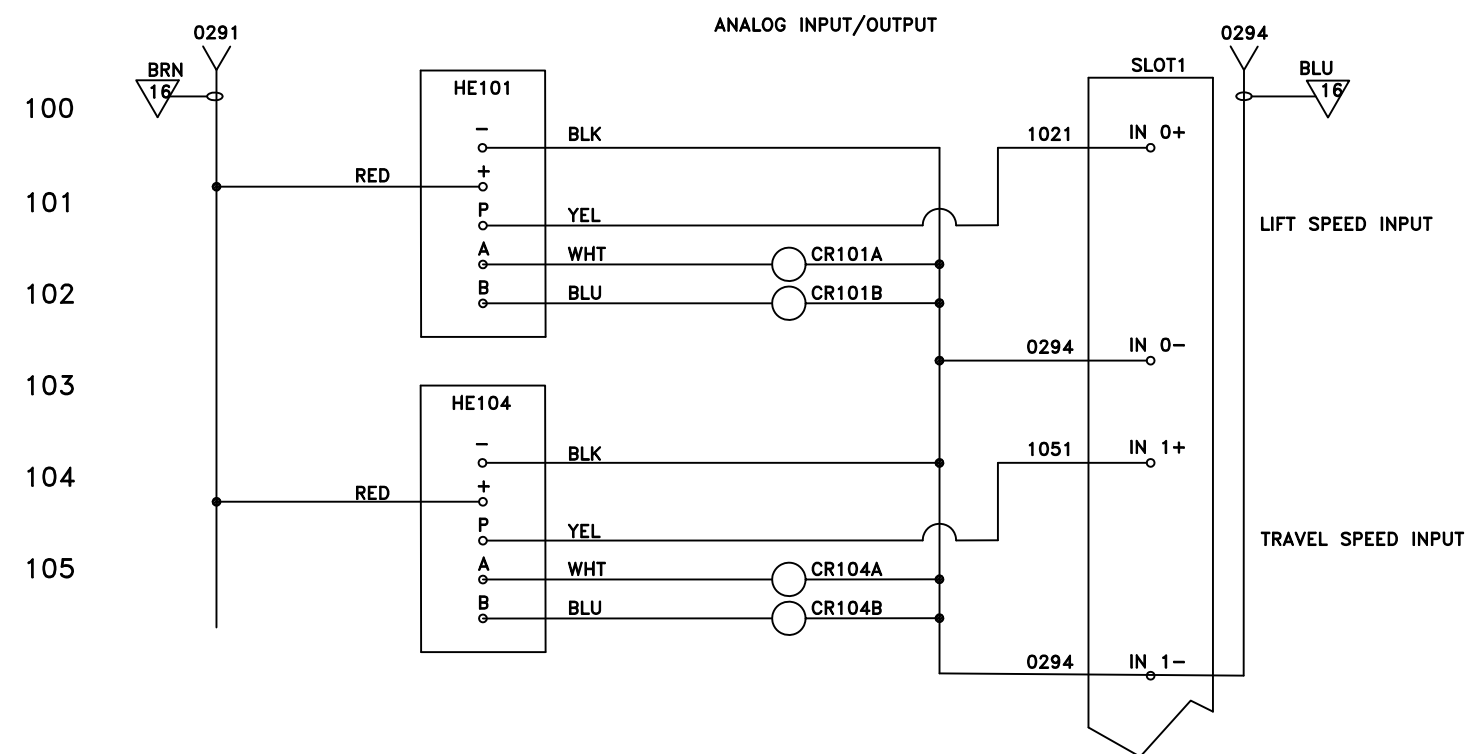


SEE 806830B FOR BASE ELECTRICAL SCHEMATIC

WIRE PLC OUTPUTS FOR LIFT AND TRAVEL SOLENOIDS THROUGH RELAYS CONTROLLED BY HALL EFFECT (7097A) JOYSTICK OUTPUTS



-	MM/DD/YY	WHO	SEE REVISION SHEET
SYM	DATE	BY	DESCRIPTION
SACKETT MATERIAL HANDLING SYSTEMS INC. 1033 Bryn Mawr Ave. Bensenville, Illinois 60106-1244			
SCALE:	APPROVED:		DRAWN BY: PRE
DATE: 11-18-09			REVISED:
HHA ELECTRICAL SYSTEM, REDUNDANT LIFT/TRAVEL RELAYS			ACAD CODE:
PAGE 1 OF 1			DRAWING NUMBER: 806830B-RLTR