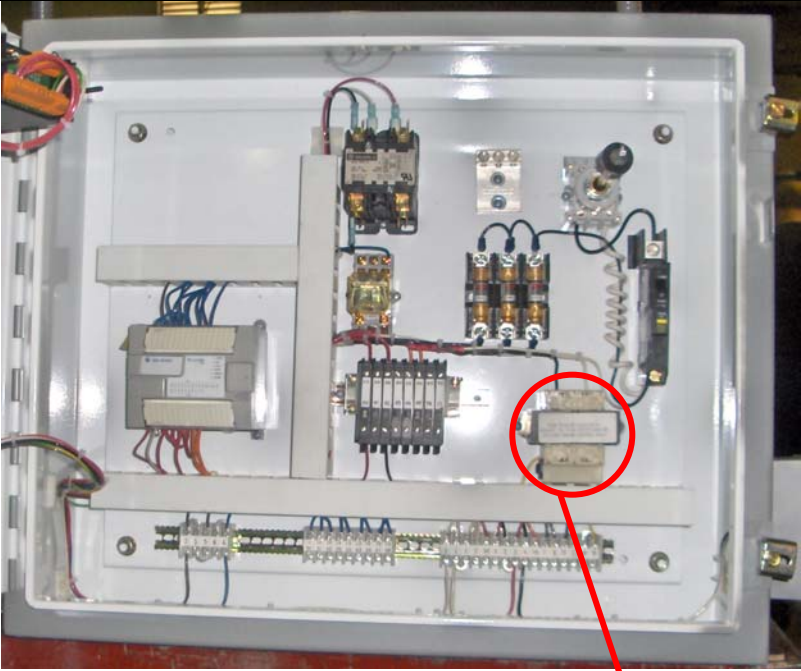
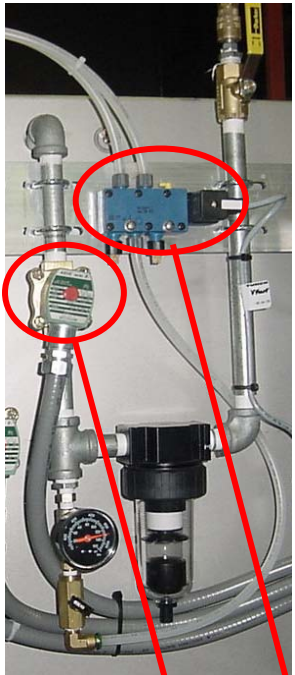


AWC-A Update to 115VAC Solenoids

Model 'A' Automatic Wash Cabinets prior to March 2010 used 24VAC solenoid to control the opening/closing of the door and provide blow off air on/off control. They have been replaced with 115VAC versions of the solenoids which are more readily available. You should consider updating if replacing either solenoid or the 24VAC transformer.

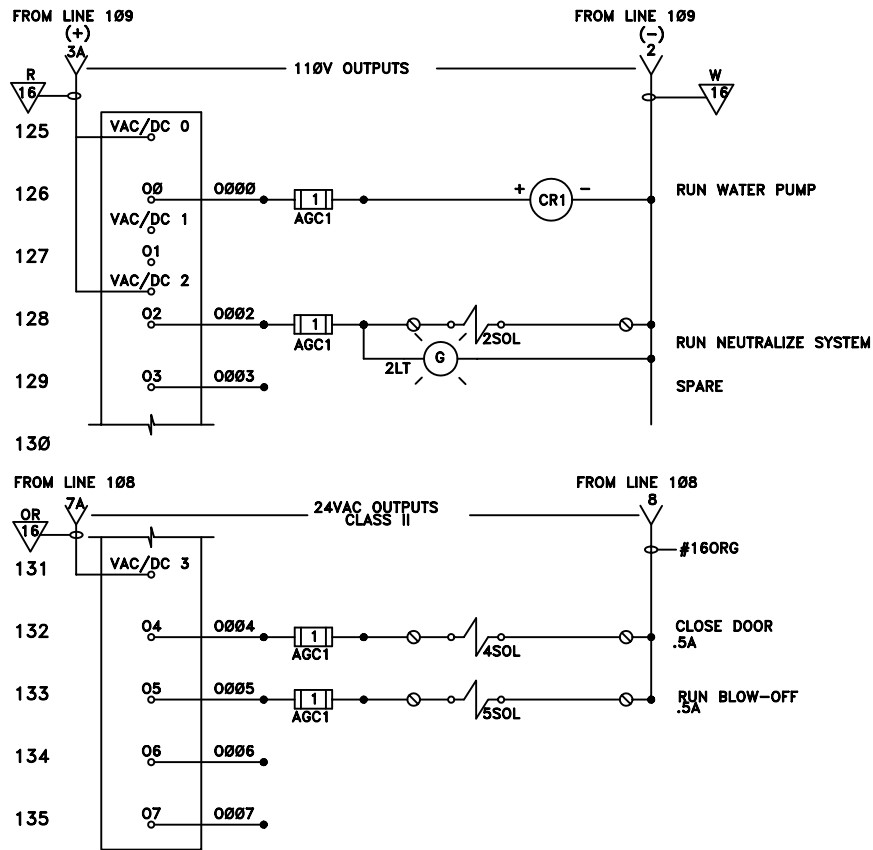
Converting an older system to the 115VAC solenoids requires that both solenoids be replaced and a jumper wire be installed on the PLC terminal strip in place of the 24VAC supply wire. The 24VAC transformer will no longer be required after updating and may be removed from the control enclosure. A schematic for MicroLogix PLC systems is provided on page 2 and for SLC500 systems on page 3.

24VAC Components	
3681	VALVE, 1/2NPT(FBE) WATER/AIR/24VAC SOLENOID (Air Blow off)
3705	VALVE, 4WAY 3/8TUBE 24VAC SOLENOID (Door Open/Close)
3576	TRANSFORMER 115VAC:24VAC, 75VA
115 VAC Components	
8376	VLV 2WAY NormClosed 115VAC 1/2NPT(FBE) 150PSI (Air Blow off)
8378	SOLENOID 115VAC 2POS 4WAY (Door Open/Close)

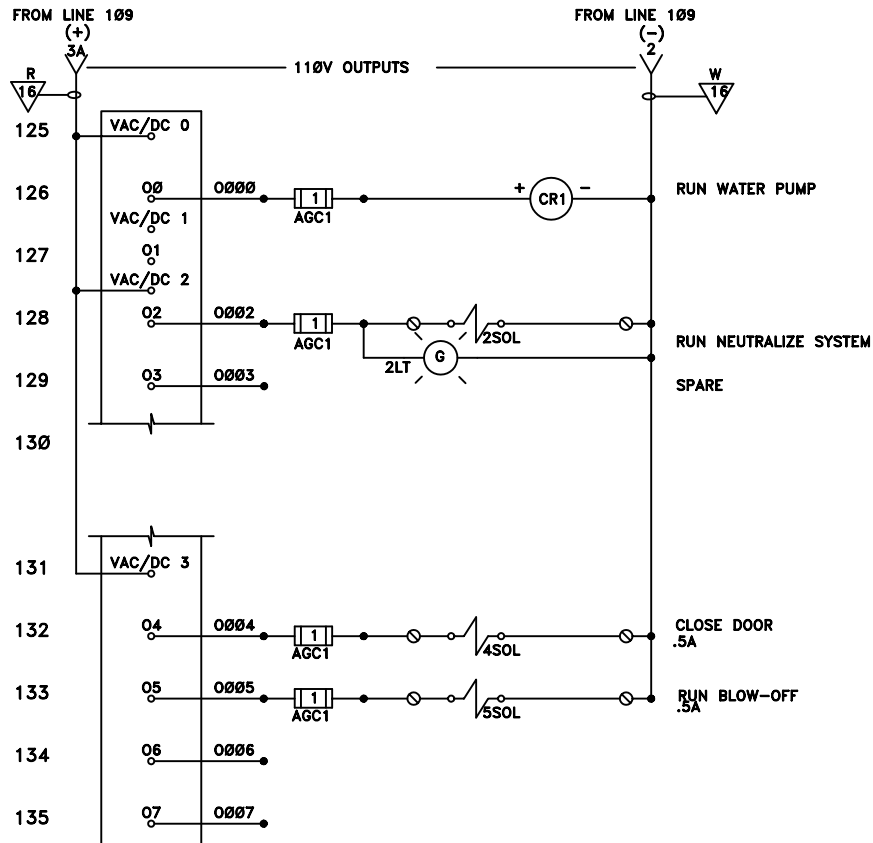
	
D801333D MicroLogix Enclosure, 24VAC Transformer	Solenoids – Blow off, Door

D801333D CONVERSION TO ALL 115VAC OUTPUTS MICROLOGIX PLC

24VAC DOOR AND BLOWOFF SOLENOIDS

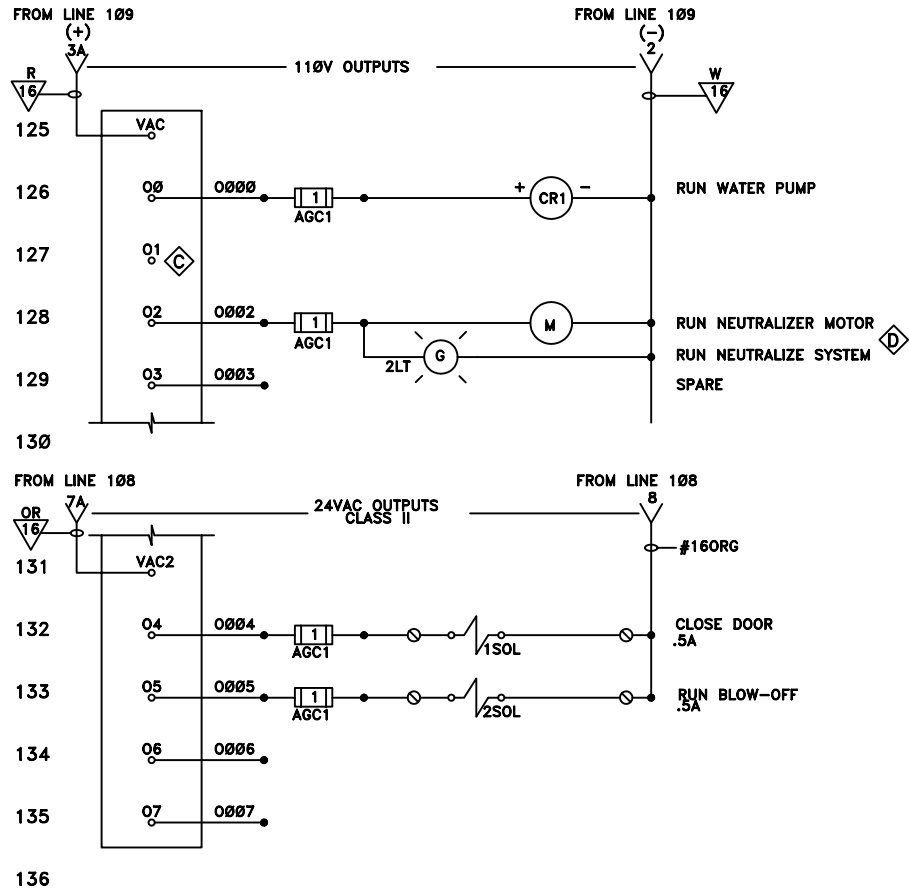


ALL 115VAC OUTPUTS



D801333 CONVERSION TO ALL 115VAC OUTPUTS SLC500 PLC

24VAC DOOR AND BLOWOFF SOLENOIDS



ALL 115VAC OUTPUTS

