

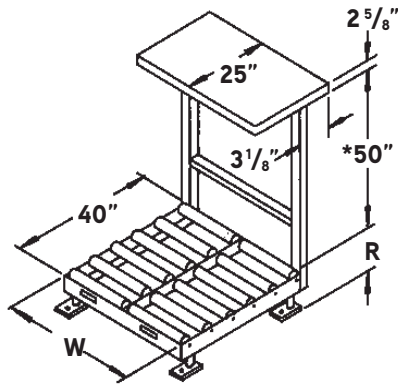
# EQUIPMENT SPECIFICATIONS

## MODEL NUMBERS / DIMENSIONS

### ROLLER CHARGING STANDS

TWO COMPARTMENT		
MODEL	ROLLER WIDTH	W
CS12-2	12"	24 3/4"
CS15-2	15 1/4"	31 1/4"
CS18-2	18"	36 3/4"
CS21-2	21"	42 3/4"
CS24-2	24"	48 3/4"
CS27-2	27"	54 3/4"
CS30-2	30"	60 3/4"
CS33-2	33"	66 3/4"
CS36-2	36"	72 3/4"

THREE COMPARTMENT		
MODEL	ROLLER WIDTH	W
CS12-3	12"	37"
CS15-3	15 1/4"	46 3/4"
CS18-3	18"	55"
CS21-3	21"	64"
CS24-3	24"	73"
CS27-3	27"	82"
CS30-3	30"	91"

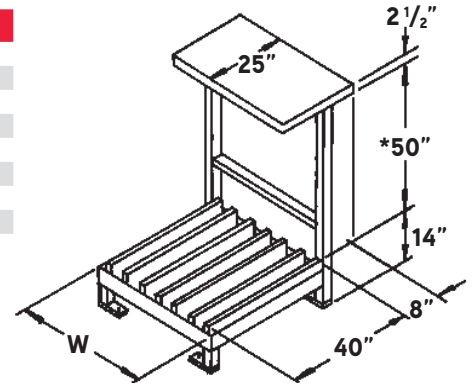


\*Standard dimension of 50" unless otherwise specified

- 'R' = desired height of rollers above floor PLEASE SPECIFY (Min. 5 1/4")
- Adjustable Height Plus or Minus 1 1/2"
- Charger Platform 800 lb capacity
- Available without Charger Platform
- Ability to customize other dimensions
- Can customize number of compartments from 1 to 5

### HDPE CHARGING STANDS

MODEL	W
CS30-P	32"
CS42-P	44"
CS60-P	62"
CS72-P	74"
CS84-P	86"
CS90-P	90"
CS100-P	100"
CS120-P	120"
CS144-P	144"

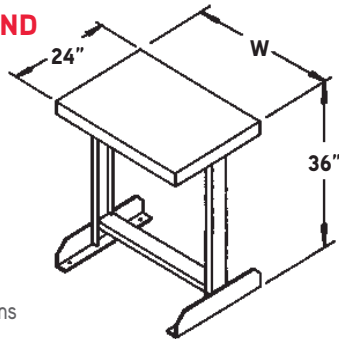


- High Density Poly Ethylene (HDPE)
- Corrosion Resistant Spacers
- Charger Platform 800 lb capacity
- Available without Charger Platform
- Wood Inserts also available

\* Standard dimension of 50" "unless otherwise specified"  
\*\* Plastic runs front to back

### CHARGER SUPPORT STAND

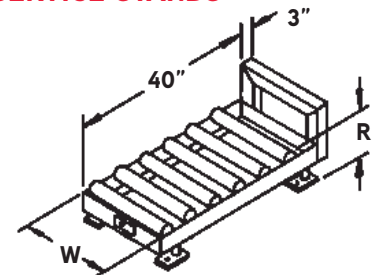
MODEL	W
CSS-24	24"
CSS-36	36"
CSS-60	60"
CSS-72	72"
CSS-120	120"
CSS-144	144"



Other Sizes Available  
Ability to Customize Dimensions

### BATTERY SERVICE STANDS

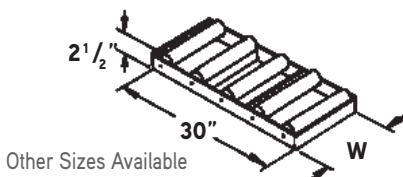
MODEL	ROLLER WIDTH	W
BSS-15	15"	17 3/4"
BSS-21	21"	21 1/2"
BSS-24	24"	24 3/4"



**R=ROLLER HEIGHT**  
Please specify desired height

### COMPARTMENT ROLLERS

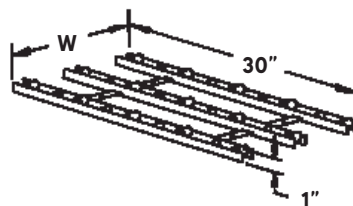
MODEL	ROLLER WIDTH	W
CR-6	6 3/4"	7 3/4"
CR-12	11 3/4"	13"
CR-15	15 1/4"	16 1/2"
CR-21	21"	22"



Other Sizes Available

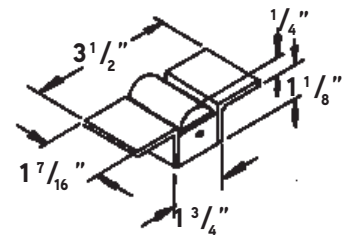
### LOW PROFILE COMPARTMENT ROLLERS

MODEL	W
CRLP-2	7" - 12" - 15"
CRLP-3	18" - 24" - 30" - 36"



### DROP-IN ROLLERS

**MODEL DI-2**  
Requires 2" x 1 5/8" Cutout



All Dimensions Shown are Nominal and Subject to Change Without Notice



# SACKETT

WE KEEP YOUR BUSINESS MOVING

# EQUIPMENT SPECIFICATIONS

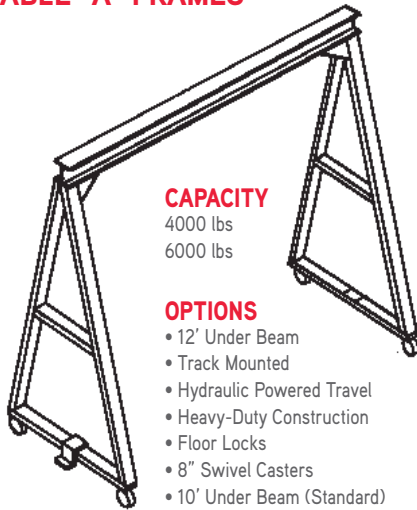
## PORTABLE "A" FRAMES

### 2-TON MODELS

PAF-10-2T  
PAF-12-2T  
PAF-14-2T  
PAF-16-2T  
PAF-18-2T

### 3-TON MODELS

PAF-10-3T  
PAF-12-3T  
PAF-14-3T  
PAF-16-3T  
PAF-18-3T

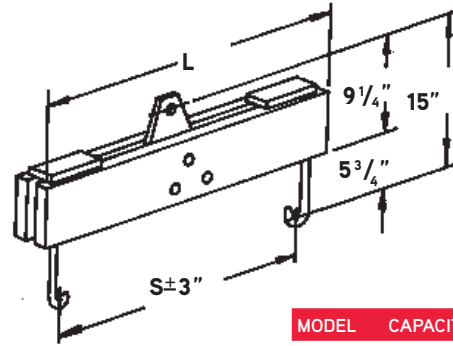


**CAPACITY**  
4000 lbs  
6000 lbs

### OPTIONS

- 12' Under Beam
- Track Mounted
- Hydraulic Powered Travel
- Heavy-Duty Construction
- Floor Locks
- 8" Swivel Casters
- 10' Under Beam (Standard)

## BATTERY LIFTING BEAMS

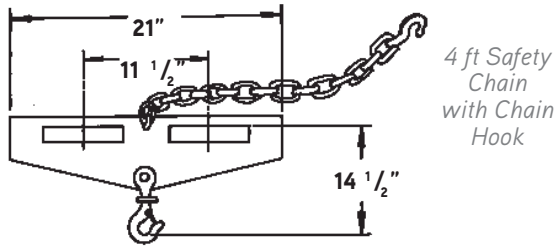


MODEL	CAPACITY	L	S
B-4000	4000 lbs.	43"	24"-39"
B-6000	6000 lbs.	47"	26 3/16"-44"

## BEAM FORK ATTACHMENT

### MODEL BFA-6000

Fork openings 1 5/8" x 6 1/2" 6000 lb Rating



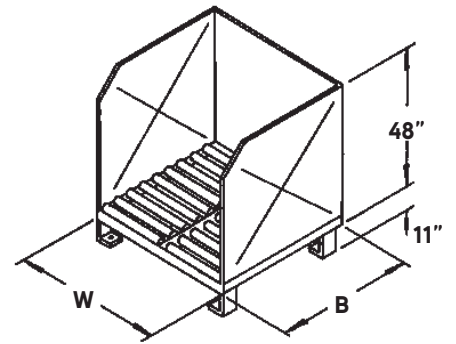
## BATTERY WASH RACKS

### MODEL WR-1

Wood Wash Rack  
W=43" B=51"

### MODEL WR-1R

Roller Wash Rack  
W=43" B=51"



## ROLLER TRANSFER CARTS

### WITH WINCH

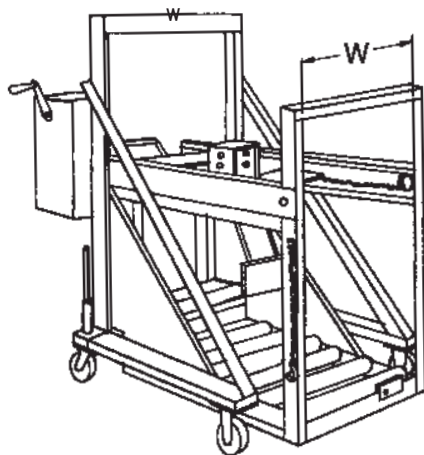
MODEL	ROLLER WIDTH
TC18-N 19"	18 1/4"
TC24-N 25"	24 1/4"

### PUSH/PULL PLATE

MODEL	ROLLER WIDTH
TC18-PN 18"	18 1/4"
TC24-PN 24"	24 1/4"
TC30-PN 30"	30 1/4"

### ALL MODELS HAVE

- Adjustable roller height between 5 7/8" and 23"
- Floor Lock
- Composition wheels
- Non-conductive rollers
- Flip-up battery safety stop



### AVAILABLE

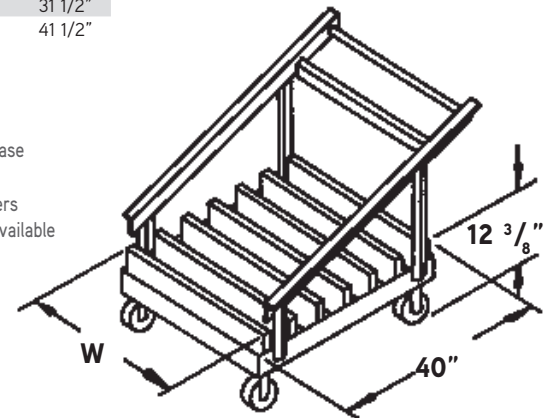
- Powered lift models • Powered Push/Pull plate models
- All powered functions • Track mounted • Low profile

## HARDWOOD TRANSFER CARTS

MODEL	W
TC-20-W	21 1/2"
TC-30-W	31 1/2"
TC-40-W	41 1/2"

### FEATURES

- Hardwood Base
- Floor Lock
- 5" Dia. Casters
- Roller Bed Available



# SACKETT

WE KEEP YOUR BUSINESS MOVING

### HEADQUARTERS

1033 Bryn Mawr Ave.  
Bensenville • IL • 60106 • USA  
630.766.5500 • fax 630.766.5631  
[www.sackettsystems.com](http://www.sackettsystems.com)