

# VERTICAL CHARGER STANDS



**A-VCS**

**B-VCS**

## SACKETT SYSTEMS VERTICAL CHARGER STANDS, WITH A SMALL FOOTPRINT AND HEAVY DUTY CONSTRUCTION CAN HANDLE FORKLIFT BATTERY CHARGERS REGARDLESS OF BRAND OR SIZE.

Available in three models, these durable stands provide multiple space saving options for your opportunity charging configuration. Easy to install with no assembly required — bolt your charger to the stand, bolt the stand to the floor and your setup is complete. All stands include scratch-resistant powder coating as well as sturdy 2" or 3" post diameters and optional 3rd or 4th charger mounting on the back side.

Sackett Vertical Charger Stands have the opportunity charging stand solutions to keep your business moving.



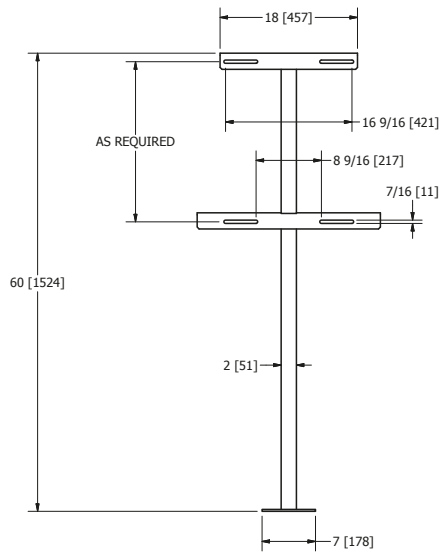
# SACKETT

WE KEEP YOUR BUSINESS MOVING

# VERTICAL CHARGER STANDS & CABLE MANAGEMENT



**A-VCS**



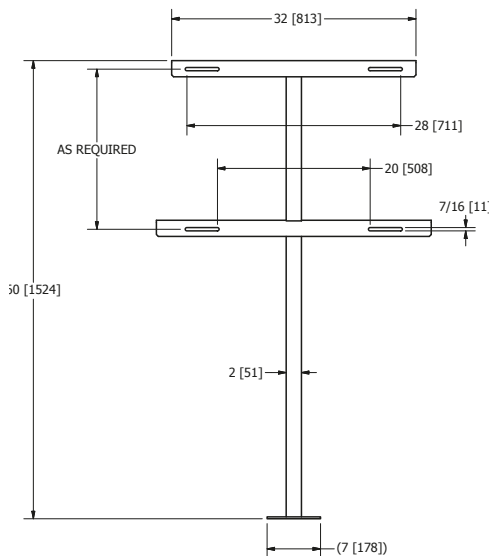
Optional 3rd charger mount on back



**C-VCS**



**B-VCS**



**POGO POLE  
W/CHAIN &  
SUSPENDER-86"  
808078A**



**POGO STICK  
MOUNT BRACKET  
B802327**



**POGO STICK  
W/CHAIN &  
SUSPENDER-40"  
5079**



**POGO  
STICK  
BASIC-40"  
1769**

## FEATURES

- Version allows mounting between one to four chargers on one stand
- Welded frame
- 2" diameter post
- Powder coated
- Safety yellow standard

## OPTIONS

- Bolt-together frame
- Custom color
- 3" diameter post

## CABLE MANAGEMENT

MODEL	LENGTH
1769 - Pogo Stick Basic	40"
5079 - 40" Pogo Stick w/Chain & Suspender	40"
5079A - 24" Pogo Stick w/Hose Holder	24"
808078A - 86" Pogo Stick w/Chain & Suspender	86"
B802327 - Pogo Stick Mount Bracket	



**SACKETT**

WE KEEP YOUR BUSINESS MOVING

**HEADQUARTERS**  
1033 Bryn Mawr Ave.  
Bensenville • IL • 60106 • USA  
630.766.5500 • fax 630.766.5631  
[www.sackettsystems.com](http://www.sackettsystems.com)